

Bedlift

The Bedlift stores up to 5 hospital beds vertically in a footprint slightly larger than a single bed.

NationWide Shelving
2180 S Constitution Blvd
Salt Lake City, UT 84119
801-328-8788
www.NationWideShelving.com



Safe Handling • Easy Access • Maximum Storage • Fast Retrieval • Small Footprint



Bedlift

The Bedlift is a hospital bed storage system which can accommodate hospitals auxiliary beds, beds in maintenance, and provide secure storage zones with a closer proximity to patient areas.

The Need

- Aisle and corridor egress is #1 cited issue in the Life Safety Code (LSC)
- The average building cost for a hospital is \$400 + per ft²
- Spare hospital beds are not readily accessible near patient areas
- At any given time 7 - 10% of all hospital beds are in maintenance or repairs.

Value Added

- Reduces hallways 'clutter' to address NFPA 101 – Life Safety Code.
- Floor space savings of, on average, 60ft² per unit.
- Time savings in labour for transporting hospital beds.
- Secure and protect hospital beds



Safe Handling • Easy Access • Maximum Storage • Fast Retrieval • Small Footprint



Applications

The Bedlift is successful in hospital maintenance rooms, storage rooms, and zoned corridor space. Additionally, the most successful installations have multiple storage locations to reduce the response time for a required bed as well as reducing the labour to retrieve the hospital bed.

Who should you talk to?

- Hospitals
- Rehabilitation Centers
- Hospital Bed Manufacturers with Service/Maintenance programs
- Bed Rental/Leasing companies
- Service and Storage Companies
- Military Hospitals
- Architects

What titles are you looking for?

- Facility Managers
- Environmental Services
- Lean Champions
- Director of Engineering
- Director of Operations



Safe Handling • Easy Access • Maximum Storage • Fast Retrieval • Small Footprint

Cost Savings

There are a number of factors that can be used to determine savings for the Bedlift. The cost of the space, offsite storage costs, hospital bed rental costs, and the cost of paying an employee to transfer beds around a hospital.

Rental and offsite storage costs will vary based on demographics but starting numbers for bed rentals are \$110 - \$138 per day with a minimum term of 5 days. Rentals are reported to last as long as 3 months.

Hospital Building Costs

A single hospital bed occupies approximately $8.5' \times 3.5' = 28 \text{ ft}^2$ of floor space. The footprint of the Bedlift is approximately $8.4' \times 4.5' = 38 \text{ ft}^2$ depending on the Bedlift model. The cost of new hospital construction is \$400.00 per ft^2

- 2 Capacity – floor space savings of 18 ft^2 / \$7,200
- 3 Capacity – floor space savings of 46 ft^2 / \$18,400
- 4 Capacity – floor space savings of 74 ft^2 / \$29,600
- 5 Capacity – floor space savings of 102 ft^2 / \$40,800



(6) ST527-45R occupy 228 ft^2 with a capacity for 30 hospital beds. The space required for the same amount of hospital beds without the Bedlifts would be 840 ft^2

Safe Handling • Easy Access • Maximum Storage • Fast Retrieval • Small Footprint

Before | After



Safe Handling • Easy Access • Maximum Storage • Fast Retrieval • Small Footprint

Bedlift Specifications

Model	Height	Width	Depth	Positions	Bed Height	Bed Width	Bed Length	Bed Weight	Load Position
ST327-45R	8' 0"	4' 6"	10' 0"	3	26"	44.5"	95"	600 lbs.	Front
ST427-45R	10' 3"	4' 6"	10' 0"	4	26"	44.5"	95"	600 lbs.	Front
ST527-45R	12' 6"	4' 6"	10' 0"	5	26"	44.5"	95"	600 lbs.	Front
ST233-45X	7' 3"	4' 6"	9' 2"	2	32"	44.5"	95"	900 lbs.	Front
ST333-45X	9' 6"	4' 6"	10' 0"	3	32"	44.5"	95"	900 lbs.	Front
ST433-45X	12' 3"	4' 6"	10' 0"	4	32"	44.5"	95"	900 lbs.	Front
ST327-96S	8' 1"	8' 9"	4' 7"	3	26"	44.5"	95"	600 lbs.	Side load
ST427-96S	10' 4"	8' 9"	4' 7"	4	26"	44.5"	95"	600 lbs.	Side load
ST327-32N	8' 0"	3' 5"	10' 0"	3	26"	31.5"	95"	600 lbs.	Front
ST427-32N	10' 3"	3' 5"	10' 0"	4	26"	31.5"	95"	600 lbs.	Front
ST527-32N	12' 6"	3' 5"	10' 0"	5	26"	31.5"	95"	600 lbs.	Front

Safe Handling • Easy Access • Maximum Storage • Fast Retrieval • Small Footprint



Bedlift_R

ST327-45R · ST427-45R · ST527-45R

- Designed for beds up to 600 lbs.
- Accommodates beds 95" x 44.5" x 26"
- Electrical Specifications:
 - ST327-45R – 110V, 1PH, 15 Amp
– 220V, 1PH, 10 Amp
 - ST427-45R – 220V, 1PH, 15 Amp
 - ST527-45R – 220V, 1PH, 15 Amp
- Lift Speed: max. 11.7 seconds per position
- cCSAus / CE mark
- OSHPD certified



ST327-45R

- Exterior Dimensions
 - Height – 8' 0"
 - Width – 4' 6"
 - Depth – 10' 0"
- Positions: 3
- Motor: 1 x 1HP
- Weight: 1,345 lbs.

ST427-45R

- Exterior Dimensions
 - Height – 10' 3"
 - Width – 4' 6"
 - Depth – 10' 0"
- Positions: 4
- Motor: 1 x 1-1/2HP
- Weight: 1,649 lbs.

ST527-45R

- Exterior Dimensions
 - Height – 12' 6"
 - Width – 4' 6"
 - Depth – 10' 0"
- Positions: 5
- Motor: 1 x 1-1/2HP
- Weight: 2,049 lbs.

Safe Handling • Easy Access • Maximum Storage • Fast Retrieval • Small Footprint

Bedlift_x

ST233-45X · ST333-45X · ST433-45X

- Designed for beds up to 900 lbs.
- Accommodates beds 95" x 44.5" x 32"
- Electrical Specifications:
 - ST233-45X – 110V, 1PH, 15 Amp
– 220V, 1PH, 10 Amp
 - ST333-45X – 220V, 1PH, 15 Amp
 - ST433-45X – 220V, 1Ph, 15 Amp
- cCSAus / CE mark
- OSHPD certified



ST233-45X

- Exterior Dimensions
 - Height – 7' 3"
 - Width – 4' 6"
 - Depth – 9' 2"
- Positions: 2
- Motor: 1 x 1HP
- Weight: 1,219 lbs.

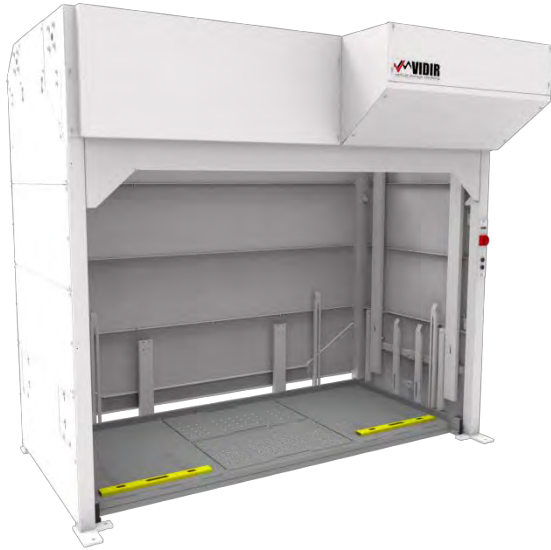
ST333-45X

- Exterior Dimensions
 - Height – 9' 6"
 - Width – 4' 6"
 - Depth – 10' 0"
- Positions: 3
- Motor: 1 x 1-1/2HP
- Weight: 1,550 lbs.

ST433-45X

- Exterior Dimensions
 - Height – 12' 3"
 - Width – 4' 6"
 - Depth – 10' 0"
- Positions: 4
- Motor: 1 x 1-1/2HP
- Weight: 1,935 lbs.

Safe Handling • Easy Access • Maximum Storage • Fast Retrieval • Small Footprint



Bedlift_s

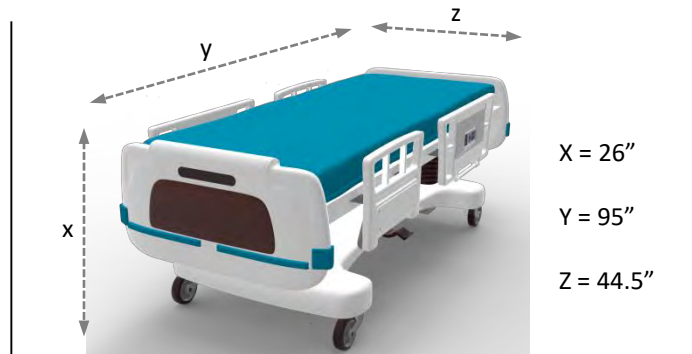
ST327-96S · ST427-96S

- Designed for beds up to 600 lbs.
- Accommodates beds 95" x 44.5" x 26"
- Electrical Specifications:
 - ST327-96S – 110V, 1PH, 15 Amp
– 220V, 1PH, 10 Amp
 - ST427-96S – 220V, 1PH, 15 Amp
- Lifting Speed: max. 11.7 seconds per position
- Includes Platform Inserts
- cCSAus mark



ST327-96S

- Exterior Dimensions
 - Height – 8' 1"
 - Width – 8' 9"
 - Base Depth – 4' 7"
 - Top Depth – 5' 8"
- Positions: 3
- Motor: 1 x 1HP
- Weight: 1,416 lbs.



X = 26"
Y = 95"
Z = 44.5"

ST427-96S

- Exterior Dimensions
 - Height – 10' 4"
 - Width – 8' 9"
 - Base Depth – 4' 7"
 - Top Depth – 5' 8"
- Positions: 4
- Motor: 1 x 1-1/2HP
- Weight: 1,743 lbs.

Safe Handling • Easy Access • Maximum Storage • Fast Retrieval • Small Footprint

Bedlift_N

ST327-32N · ST427-32N · ST527-32N

- Designed for stretchers up to 600 lbs.
- Accommodates stretchers 95" x 31.5" x 26"
- Electrical Specifications:
 - ST327-32N – 110V, 1PH, 15 Amp
– 220V, 1PH, 10 Amp
 - ST427-32N – 220V, 1PH, 15 Amp
 - ST527-32N – 220V, 1PH, 15 Amp
- Lifting Speed: max. 11.7 seconds per position
- cCSAus mark



Model	Height	Width	Depth	Positions	Motor	Weight
ST327-32N	8' 0"	3' 5"	10' 0"	3	1 HP	1,271 lbs
ST427-32N	10' 3"	3' 5"	10' 0"	4	1-1/2 HP	1,582 lbs
ST527-32N	12' 6"	3' 5"	10' 0"	5	1-1/2 HP	1,828 lbs

Safe Handling • Easy Access • Maximum Storage • Fast Retrieval • Small Footprint

VIDIR – OSHPD

OSHPD Pre-approval of Manufacturer’s Certification (OPM)

Two seismic installation scenarios have been developed and approved through OSHPD for the installation of the Vidir Regular Capacity Bedlift and Extra Capacity Bedlift.

Bedlift OSHPD SDS Ratings

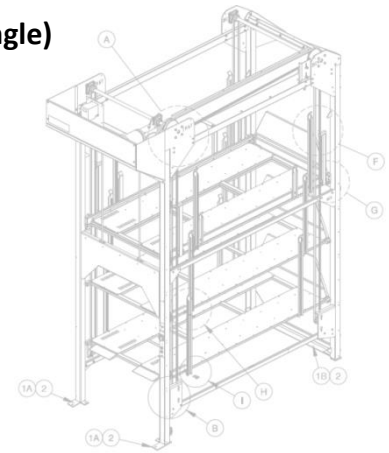
<u>Bedlift Model</u>	<u>Scenario 1 (single)</u>	<u>Scenario 2 (Multi)</u>
ST327-45R	2.07	2.5
ST427-45R	1.4	1.83
ST527-45R	1.0	1.3
ST233-45X	2.5	2.5
ST333-45X	1.60	2.33
ST433-45X	0.97	1.43

General Notes:

- Requires the Bedlift to be anchored to the hospital buildings structure
- Covers ground floor installations only
- Requires a minimum 4” Embedment
- Must be installed on a concrete slab on grade
 - Concrete must be at least 6” thick
 - Anchor’s must have at least 10” separation from concrete slab edge

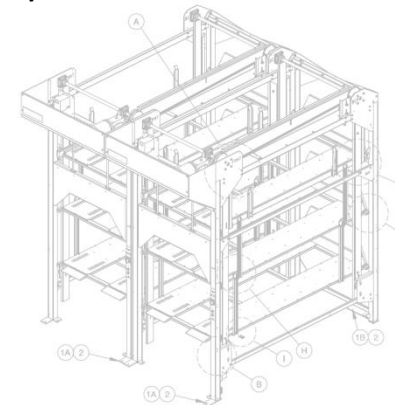
Seismic Installation Scenario 1 (Single)

Consists of an additional rear anchor kit and two additional front anchors. Will be required in every Bedlift installation that requires OSHPD approval. The package provides OSHPD coverage up to the SDS rating specified in the accompanying chart for a single Bedlift regardless of quantity or positioning.



Seismic Installation Scenario 2 (Multi)

In addition to the anchoring required in Seismic Installation Scenario 1, this consists of a side mounting kit to connect two units to one another to increase the SDS rating to which multiple units are certified. The package provides coverage up to the SDS rating specified in the accompanying chart for 2 units connected, side by side.



Further information can be found at:

<http://www.oshpd.ca.gov/fdd/Pre-Approval/OPM-0051-13.pdf>

<http://www.oshpd.ca.gov/fdd/Pre-Approval/OPM-0145-13.pdf>

Safe Handling • Easy Access • Maximum Storage • Fast Retrieval • Small Footprint

How to find local SDS numbers:

1. Visit the USGS website for U.S. Seismic Design Maps <http://earthquake.usgs.gov/designmaps/us/application.php>

2. Fill in the required fields with the information below:
 1. Design Code Reference Document: 2012 IBC
 2. Report Title: "Name of desired Hospital"
 3. Site Soil Classification: "Relevant soil classification if available" or Site Class D – "Stiff Soil" (Default)
 4. Risk Category: IV (e.g., essential facilities)
3. Using the in-map search field search for the hospital location.
4. Press "Compute Values"
5. Reference the reported SDS values from the "USGS Design Maps Summary Report" to the Bedlift SDS ratings.

USGS Design Maps Summary Report

[Print](#) [View Detailed Report](#)

User-Specified Input

Report Title Jerry L Pettis Memorial Veterans Medical Center
Loma Linda, CA

Building Code Reference Document 2012 International Building Code
(which utilizes USGS hazard data available in 2008)

Site Coordinates 34.07589°N, 117.24361°W

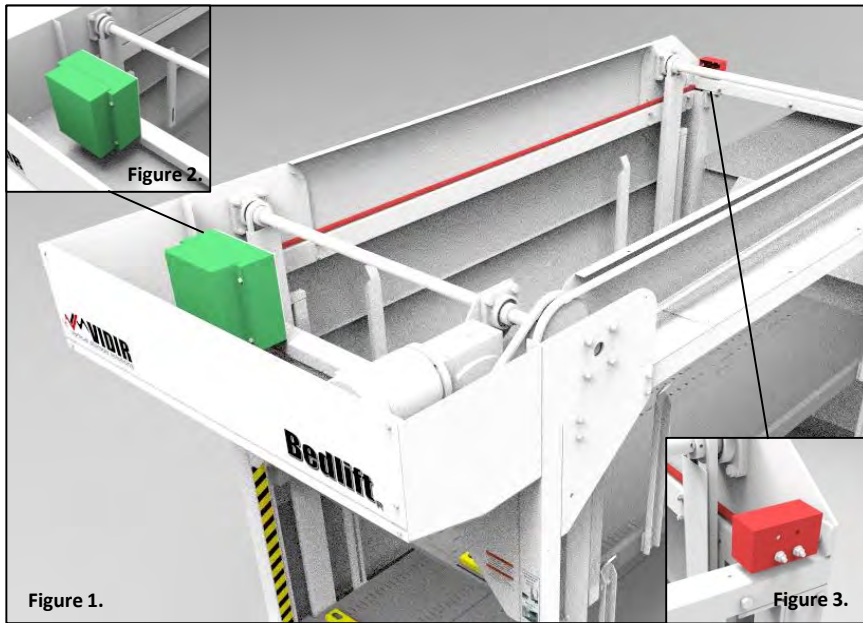
Site Soil Classification Site Class D – "Stiff Soil"

Risk Category IV (e.g. essential facilities)

USGS-Provided Output

$S_5 = 2.017 \text{ g}$	$S_{MS} = 2.017 \text{ g}$	$S_{DS} = 1.345 \text{ g}$
$S_1 = 0.904 \text{ g}$	$S_{M1} = 1.356 \text{ g}$	$S_{D1} = 0.904 \text{ g}$

Safe Handling • Easy Access • Maximum Storage • Fast Retrieval • Small Footprint



Electrical Specs (cont.)

- There are two junction boxes per Bedlift to allow for electrical drops from the ceiling or rear wall, one in the front as per Figure 2. and one in the back as per Figure 3.
- Each Bedlift should have a dedicated circuit and outlet which meets the electrical specifications outlined in Figure 4. and Figure 5. (includes a dedicated ground wire to the distribution source)
 - The electrician can hardwire the units on-site in lieu of providing a dedicated outlet.
- Each Bedlift is supplied with a 4' (1.2m) electrical cord. Additional lengths available upon request.
- The dedicated outlet should be located within 4' of the junction box
- Power supply cords must NOT run through walls, ceilings, floors, and similar openings in the building structure.

110/120V, 1Ph, 15 Amp

Available with: ST233-45X, ST327-45R, ST327-96S, and ST327-32N

- 110 VAC
- 15 Amp
- 60 Hz
- NEMA 5-15



220/240V, 1Ph, 15 Amp

Available with all units:

- 220 VAC
- 15 Amp
- 60 Hz
- NEMA 6-15



Safe Handling • Easy Access • Maximum Storage • Fast Retrieval • Small Footprint

Installation information to collect prior to sale:

Installation Location

- What floor will the unit(s) be installed on? Is an elevator required and what are the dimensions of the elevator?
- Provide a drawing of installation area with dimensions, as well as a description of the path from delivery area to installation area.

Installation Training

- If Vidir is providing installation training, a list of all trainees must be provided in advance. The trainees will be required to bring their own tools.

Unloading Facilities

- Does the delivery location have a loading dock or ground level doors? If ground level doors, is there room to drive a semi-truck in to unload?

Delivery Location

- Will the unit(s) be delivered directly to the hospital or to a warehouse?

Contact Person

- What is the contact person for delivery's name and phone number?



Installation Equipment Requirements

- Unloading from a loading dock:
 - For multi unit orders a forklift will be required to unload the truck.
 - For single unit orders, 2 pallet jacks can be used.
- Unloading using ground level doors:
 - A forklift will be required to unload the truck.
- Moving the units from the truck to installation site:
 - (2) 4 wheel carts are ideally suited to transport the unit from loading to the installation site. Alternatively, pallet jacks can be used.
- Installing the Units (provide for the largest unit present)
 - (2) 4' ladders - Bedlift(s) with capacity for 2
 - (2) 6' ladders - Bedlift(s) with capacity for 3
 - (2) 8'-10' ladders - Bedlift(s) with capacity for 4*
 - ST433-45X requires 10' ladder
 - (2) 10' ladders - Bedlift(s) with capacity for 5
 - Fork Lift or Material Lift for Bedlift(s) with 4 or 5 bed capacity.

Safe Handling • Easy Access • Maximum Storage • Fast Retrieval • Small Footprint

Frequently Asked Questions (FAQ)

1. Do you keep inventory on Bedlifts?

No, we build the units to order.

2. Is the only color choice the grey and white option as depicted in the renderings?

No, the standard color scheme is white with grey accents but the units can be painted in any other RAL color for a \$500 upcharge per color.

3. Do Bedlifts require a dedicated outlet or are they hardwired?

The Bedlift is provided with all the necessary hardware to plug directly into a dedicated outlet upon installation as per the electrical specifications. The electrician can, at their discretion decide on-site whether or not to hardwire.

4. How many loading ramps come with an order?

An order for a single unit receives a single set of loading ramps. Multiple unit orders will receive 2 sets of loading ramps.

5. What is the estimated installation time for the Bed Lift?

Approximately 6-8 hours per unit for 2 installers.

6. How do you handle freight?

We prefer to handle all shipping within North America to ensure that the product arrives on site in the same condition as it left our plant. Please contact us for current shipping rates.

7. Do you have any CAD blocks or other drawing tools to integrate in our designs?

Yes, these tools are available upon request.

Safe Handling • Easy Access • Maximum Storage • Fast Retrieval • Small Footprint